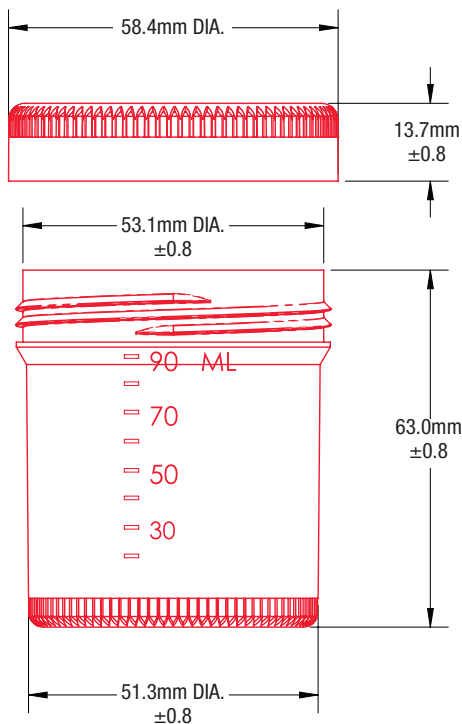


## Tite-Rite Wide Mouth Container, 90mL (3oz), Sterile

Item# 6526



### Description

These containers are the ultimate in leak-tight storage and transport of liquids. An expanded inner liner in the screwcap is designed to compress against the uppermost walls and top rim of the container thereby providing an air-tight seal. They are ideal for use in hospital pneumatic tube systems.

### Features

- 90mL (3 oz.) Capacity
- Molded Graduation Marks
- Patient Tab-Seal Label
- Attached White Screw Cap

### Material

Container:

- Polypropylene (PP)

Cap:

- Polyethylene (PE)

### Technical Specifications

Autoclavable: Container Only w/o Cap

Brittleness temperature: 0°C

Maximum temperature: 135°C

Sterility: Sterile

### Products

Item#	Description	Unit
6526	Tite-Rite Container, Wide Mouth, 90mL (3oz),	300